

MOUNTING INSTRUCTIONS

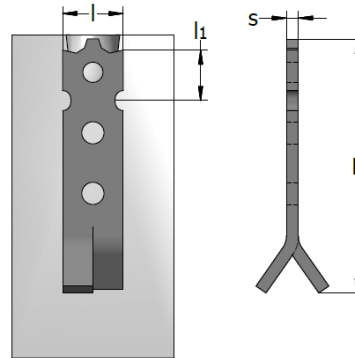


2D - LIFTING SYSTEMS | **UNIVERSAL ANCHOR 12.5 kN**

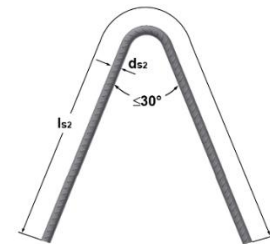
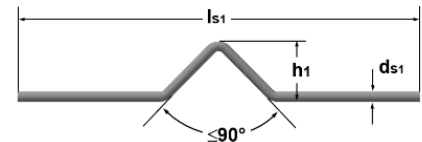
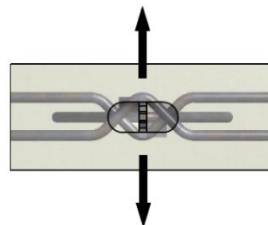
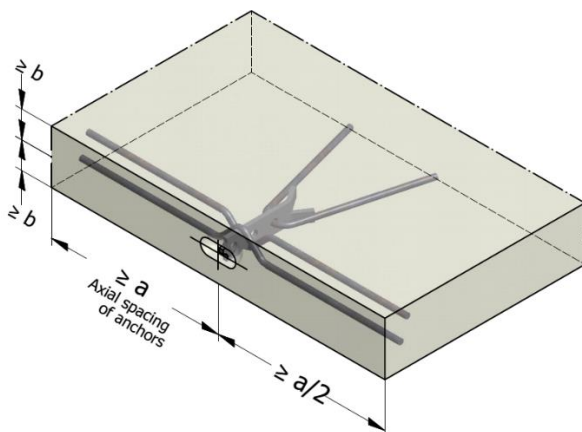


UNIVERSAL ANCHOR 12.5 kN

For handling (tilting, turning and lifting), very thin precast concrete units, a UNIVERSAL ANCHOR-12.5 kN are required



UNIVERSAL ANCHOR 12.5 kN, DIMENSIONS AND LOAD CAPACITY								
Anchor type	Product number		L	l	s	l1	Load range	e1
	Black	Hot-dip galvanised	[mm]	[mm]	[mm]	[mm]	[kN]	[mm]
UNIVERSAL ANCHOR 12.5 kN	49094	49095	120	30	6	25	12.5	10



Note: The bend radius and the length l_s will be determined according to EN 1992. Additional reinforcement and the anchor position will be positioned as in the illustration above. The h_1 dimension will be determined in function of the thickness of the element.

INSTALLATION OF SA-TTU 12.5 kN ANCHOR – LOAD CAPACITY, INSTALLATION DIMENSIONS							
Anchor type	Anchor length "L"	Load group	Minimum thickness of precast unit "2 × b"	$f_{cu} \geq 15 \text{ MPa}$			Minimum spacing between anchors "a"
				100 % F_{perm} LIFTING $\beta < 30^\circ$	80 % F_{perm} LIFTING $30^\circ < \beta < 45^\circ$	50 % F_{perm} TILTING	
	[mm]	[kN]	[mm]	[kN]	[kN]	[kN]	[mm]
Lifting clutch load group 12.5 kN							
UNIVERSAL ANCHOR 12.5 kN	120	12.5	60	12.5	10	6.25	240

Anchor type	Load group	Tilting and tilting reinforcement $f_{cu} \geq 15 \text{ MPa}$		Additional reinforcement for lifting (pull) $f_{cu} \geq 15 \text{ MPa}$	
		ds1	ls1	ls2	ds2
	[kN]	[mm]	[mm]	[mm]	[mm]
UNIVERSAL ANCHOR 12.5 kN	12.5	Ø 10	700	650	Ø 10

CONTACT



TERWA is the global supplier for precast and construction solutions with multiple offices around the world. With all our staff, partners and agents, we are happy to provide all construction and precast companies who work in the building industry with full service and 100% support.

TERWA CONSTRUCTION GROUP

Terwa Construction Netherlands (HQ)

Global Sales & Distribution
Kamerlingh Onneslaan 1-3
3401 MZ IJsselstein
The Netherlands
T +31-(0)30 699 13 29
F +31-(0)30 220 10 77
E info@terwa.com

Terwa Construction Central East Europe

Sales & Distribution
Strada Sânzieni
507075 Ghimbav
Romania
T +40 372 611 576
E info@terwa.com

Terwa Construction Poland

Sales & Distribution
Ul. Cicha 5 lok. 4
00-353 Warszawa
Poland
E info@terwa.com

Terwa Construction India & Middle East

Sales & Distribution
India
T +91 89 687 000 41
E info@terwa.com

Terwa Construction China

Sales & distribution
5F 504, No. 101 Chuanchang road
PRC, 200032, Shanghai
China
E info@terwa.com

ALL SPECIFICATIONS CAN BE CHANGED WITHOUT PREVIOUS NOTICE.

DISCLAIMER

Terwa B.V. is not liable for deviations due to wear of the products it has delivered. Neither is Terwa B.V. liable for damage due to inaccurate and/or improper handling and use of the products it has delivered and/or use of same for purposes other than those intended.

Terwa B.V.'s responsibility is furthermore limited in accordance with article 13 of the "Metaalunie" conditions, which are applicable for all Terwa B.V. deliveries. The user is responsible for ensuring compliance with all applicable copyright laws. Without limiting the rights under copyright, no part of this documentation may be reproduced, stored in or introduced into a retrieval system, or transmitted in any form or by any means (electronic, mechanical, photocopying, recording, or otherwise), or for any purpose, without the express written permission of Terwa B.V.